
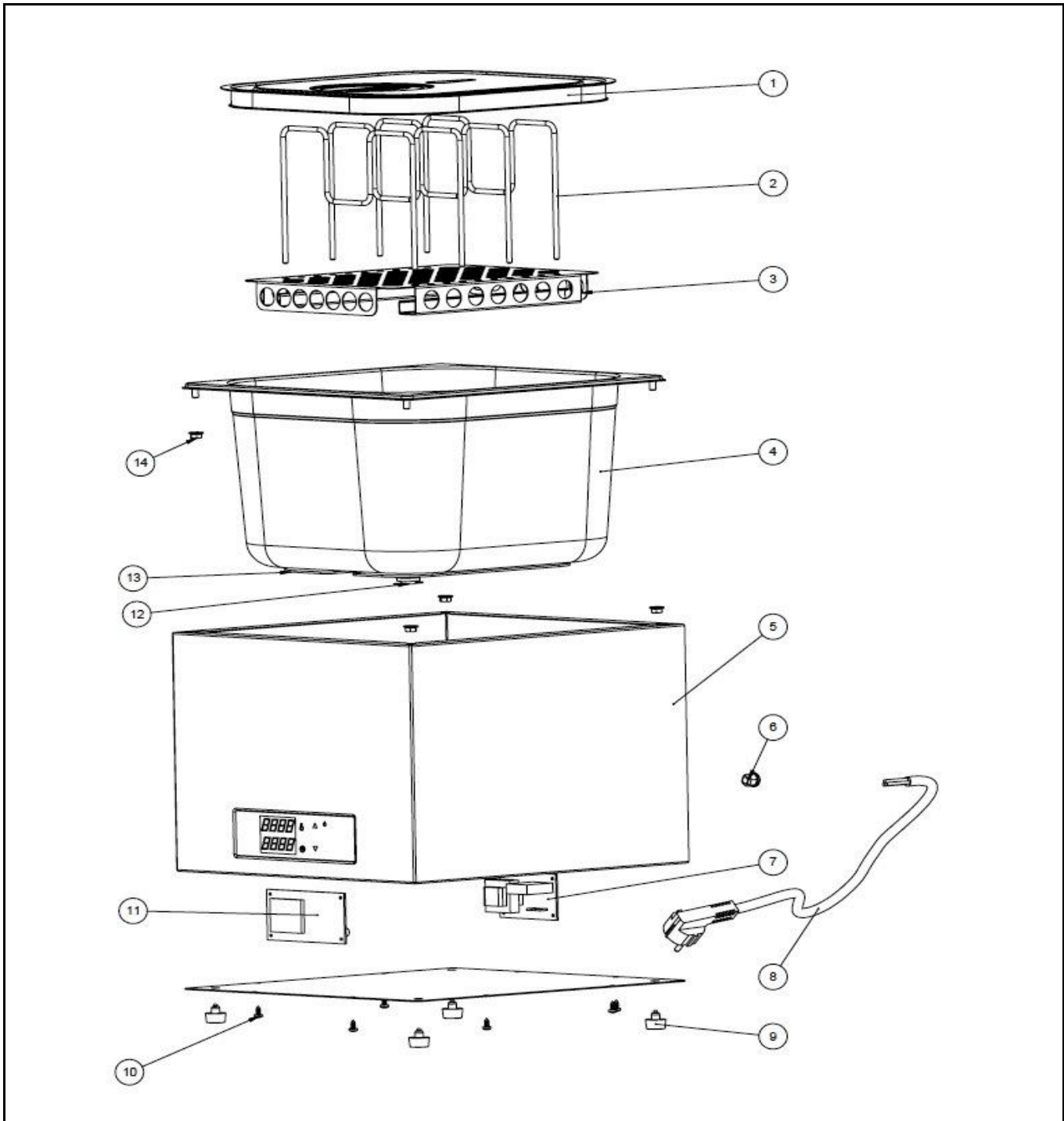



Drawing

 <b>HENDI</b> FOOD SERVICE EQUIPMENT	<b>Batch #</b>	<b>Appliance part#</b>
	403143 and up	<b>225264</b>
	<b>Description</b>	
	Sous-vide system GN 2/3	

<b>Date</b>	14-10-2015	<b>Revision #</b>	Revision version
<b>Revision</b>	First bill of materials (BOM)		



### Bill of materials (BOM)

 <p><b>Hendi B.V.</b> Steenoven 21 3911 TX Rhenen The Netherlands</p>	<b>Batch #</b>	<b>Appliance part#</b>
	403143 and up	<b>225264</b>
	<b>Description</b>	
	Sous-vide system GN 2/3	


<b>Date</b>	14-10-2015	<b>Revision #</b>	Revision version
<b>Revision</b>	First bill of materials (BOM)		

Item	Description	Part#	Quantity	Remark	Picture
1	Lid GN2/3 with silicone rim	804018	1		
2	Bow grid	931059	4		
3	Bottom grid plate	935330	1	Incl. 4 pcs bow grid 931059	
4	Bin incl. element	n/a	1		
5	Frame	n/a	1		
6	Pull relief	931066	1		
7	Main pcb	nss	1	Available as 935347	
8	Powercord	205303	1		
9	Feet	935354	4		
10	Sheet metal screw	n/a	8		
11	Display pcb	935347	1	Incl item 7	
12	Clixon 150°C	930496	2		
13	Element 400W	n/a	1		
14	Flange nut M6	n/a	4		

n/a    -> not available

nss    -> not sold separately

## Wiring diagram

 <b>HENDI</b> FOOD SERVICE EQUIPMENT  <b>Hendi B.V.</b> Steenoven 21 3911 TX Rhenen The Netherlands	<b>Batch #</b>	<b>Appliance part#</b>
	403143 and up	<b>225264</b>
	<b>Description</b>	
	Sous-vide system GN 2/3	

<b>Date</b>	14-10-2015	<b>Revision #</b>	Revision version
<b>Revision</b>	First bill of materials (BOM)		

